

# 316L Stainless Steel Explosion Proof Coil for Oil and Gas Market

Lucifer® ATEX "d" Coil  
 Ref. 497105 (M20x1.5)  
 Ref. 49710502 (1/2 NPT)



## Product

The new 316L Stainless Steel Explosion Proof Flameproof "d" Coil Ref. 497105 is valid for Zone 1/21 and is compatible with existing Parker Lucifer Valve X, V, and F Series (See product range table next page).



## Contact Information

**Parker Hannifin Manufacturing Switzerland SA**  
 Fluid Control Division Europe  
 Ch. Fbg de Cruseilles, 16  
 1227 Carouge / Genève  
 Switzerland  
 Tel.: +41 22 30 77 111  
 Fax: +41 22 30 77 110  
 www.parker.com/fcde

## Markets

- Chemical
- Petrochemical
- Oil & Gas industries

## Applications

Control of solenoid valves in hazardous areas Zone 1-21

## Benefits

- Light and compact design
- Highly resistant to corrosion
- Easy mounting and dismounting
- Easy maintenance
- Modular with all other current ATEX Parker Lucifer coils
- Inventory reduction for distributors
- The coil can be assembled or disassembled from its valve very easily
- Quick electrical cable connection
- The coil permits reversible up or down position of the threaded 1/2" NPT cable entry with 360° rotation capability



ENGINEERING YOUR SUCCESS.

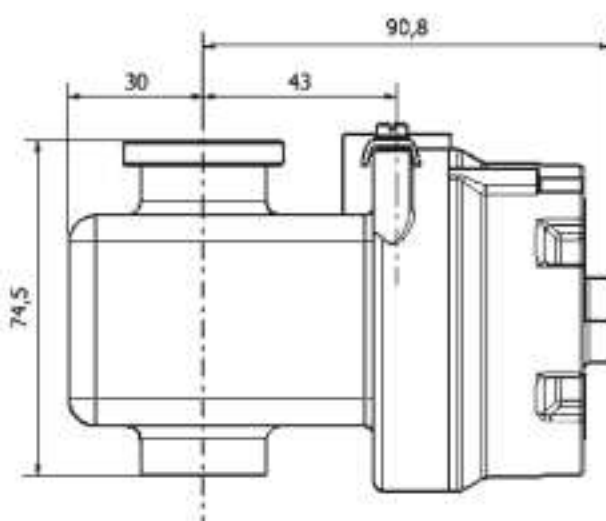
## Technical Data

- Housing is made of 316L stainless steel.
- Power consumption 8W Max
- 1/2" NPT or M20 x 1.5 cable entry
- Protection level IP 66
- Peak voltage suppression and AC rectifier included as standard

## Solenoid Valve Product Range

316L STAINLESS ST. PIPE/SUB-BASE MOUNTING										Parker LUCIFER® Valves			Electrical Connection		Power		Coil Group
Port Size	Function	Orifice Ø 1 mm	Flow Factor On l/min	Operating Pressure Differential		Fluid Temp.		Seat Seal	Valve Ref.	Housing Ref.	Coil Ref.		AC W	DC W			
				Min bar	Max (MOPD) AC bar DC bar	Min °C	Max °C										
1/4 NPT	3/2 universal auto reset	6	680	0	12 12	-25 65	NBR	U133X7196	-	497105 49710502	M20x1.5 1/2 NPT	8 8	9.0/10.1/10.2/10.3				
	3/2 universal manual override	6	680	0	12 12	-25 65	NBR	U133X7156	-	497105 49710502	M20x1.5 1/2 NPT	8 8	9.0/10.1/10.2/10.3				
	3/2 universal manual reset	6	680	0	12 12	-25 65	NBR	U033X7156	-	497105 49710502	M20x1.5 1/2 NPT	8 8	9.0/10.1/10.2/10.3/12				
	3/2 universal	2.5	220	0	9 9	-25 75	FKM	U133V7695	-	497105 49710502	M20x1.5 1/2 NPT	8 8	9.0/10.1/10.3				
	3/2 universal	2	140	0	12 12	-25 75	FKM	U133V7595	-	497105 49710502	M20x1.5 1/2 NPT	8 8	9.0/10.1/10.3				
	2/2 normally closed	1	40	0	98 98	-25 75	FKM	U121V7595	-	497105 49710502	M20x1.5 1/2 NPT	8 8	9.0/10.1/10.3				
SB	3/2 normally closed	2.5	220	0	12 12	-25 75	FKM	U131F7695	-	497105 49710502	M20x1.5 1/2 NPT	8 8	9.0/10.110.3				

## Dimensions



## Voltage Codes

Voltage	12VDC	24VDC	48VDC	110VDC	24/50-60VAC	110/50-60VAC	220-230/50-60VAC
Code	C1	C2	C4	C5	P0	1P	3P

## Ordering example

To order a solenoid valve select :  
 Valve reference - Coil reference and voltage code.  
 Example for 24 VDC: U133X7196-497105C2

